

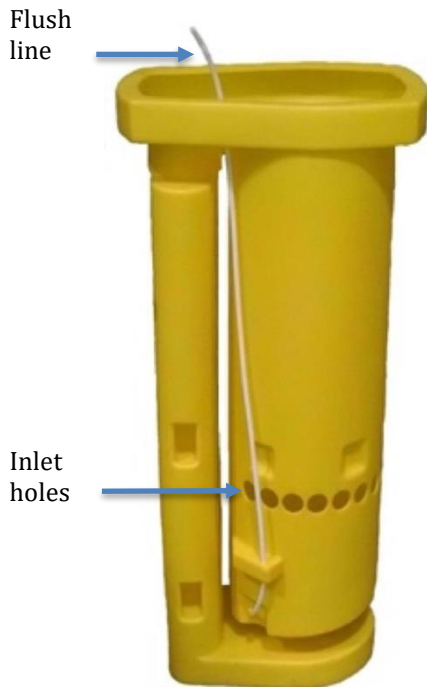
Max-Flo Self-Cleaning Pump Vault

Applications

Stepros pump vaults are intended for use with 4-inch submersible effluent pumps in a septic tank or pump tank. Each vault houses both pump and effluent filter. Stepros vaults clean the filter through a patented flushing feature. When the pump turns on, the discharge assembly diverts a small jet of filtered effluent back to the filter to flush solids out of the filter chamber and into the tank. This results in reduced build-up on the filter and less maintenance.

General

The pump vault hangs from the tank opening and is suspended in the tank. The filter can be removed without pulling the vault out of the tank. The float hanger is integrated into the handle of the filter and can accommodate multiple floats for a variety of configurations. Effluent enters the vault through the inlet holes and passes through the filter into the pump chamber. From there, the effluent is pumped out through a discharge assembly (sold separately). The filter prevents solids larger than 1/8" from passing through.



| Model Number | Vault Height |
|--------------|--------------|
| HFSCV45MF12 | 45" |
| HFSCV54MF12 | 54" |
| HFSCV78MF12 | 78" |

Materials of Construction

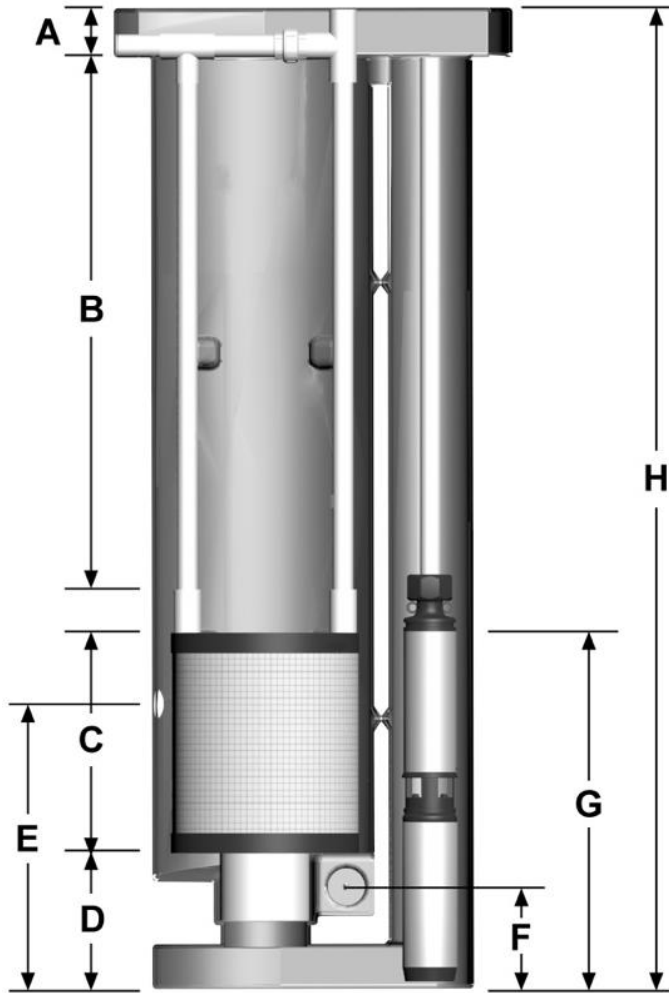
| | |
|--------------------|-------------------------------|
| Max-Flo vault | Polyethylene |
| Max-Flo filter | Polypropylene/ Sch. 40 PVC |
| Float hanger | Sch. 40 PVC/SDR 21 |
| Vault support pipe | Sch. 40 PVC |

Tank Access

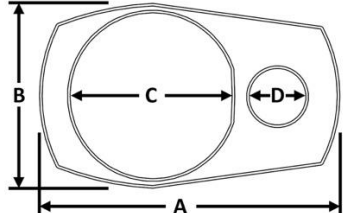
Minimum tank access opening diameter is 18.5". Recommended tank access opening diameter is 20".



Pictured: Optional vault supports for tank access opening diameter larger than 20".

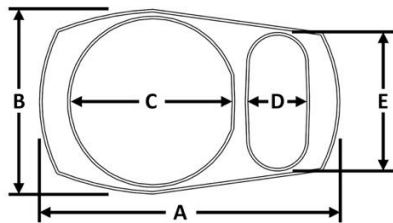


45" Vault Dimensions (top view)



| | |
|---|--------|
| A | 21.75" |
| B | 13.75" |
| C | 11.75" |
| D | 4.75" |

54" and 78" Vault Dimensions (top view)



| | |
|---|--------|
| A | 21.75" |
| B | 13.75" |
| C | 11.75" |
| D | 4.25" |
| E | 9.25" |

Specifications

| Model | HFSCV45MF12 | HFSCV54MF12 | HFSCV78MF12 |
|----------------------------------|-------------|-------------|-------------|
| A Support lip height | 2.75" | 2.75" | 2.75" |
| B Filter handle height | 21.5" | 31.5" | 55.5" |
| C Max-Flo filter height | 12" | 12" | 12" |
| D Bottom of filter height | 7.5" | 7.5" | 7.5" |
| E Inlet hole height | 16" | 16" | 16" |
| F Discharge port height | 5.5" | 5.5" | 5.5" |
| G Top of filter height | 19.5" | 19.5" | 19.5" |
| H Vault height | 45" | 54" | 78" |